

Channel Mixer

Axial propeller pump designed to pump large amounts of liquids with low back pressure. The pump is most often used at sewage treatment plants for recirculating sludge, but it can also be used in, for example, drainage and for recirculation in fish farming facilities.

Landia's channel mixer AXP 500 is made for circular flushing and for mixing slurry in the channels under a slatted floor. It ensures an efficient mixing, so the slurry is always homogeneous.

- The slurry is always homogeneous, ready to pump to the storage tank without any difficulties such as clogged channels underneath the floor.
- By using a Landia control, the system runs automatically, and the time spent on handling the slurry is reduced to a minimum.
- Output up to 300 meters.



PROPELLER RPM

400 rpm – gear 1:3,55

500 rpm – gear 1:3,15

MATERIAL OF CONSTRUCTION

Motor housing and oil chamber	Cast iron EN-GJL-250
Propeller	W1.0038/A570 Gr.36
Gear	Cast iron EN-GJL-250
Gear output shaft	Shaft steel W1.6511/AISI9840 (no contact with liquid)
Bolts	A4
Exterior sealing system	3 oil sealing rings made of nitrile Wear bush made of stainless steel W1.4301/AISI304 (ceramic coating optional)
Interior sealing set	Mechanical shaft seal: silicon carbide/silicon carbide
Oil type	SP 100
Grease type	Extreme pressure grease

SERVICE AND MAINTENANCE

Recommended service interval/oil change	Maximum 2,000 operating hours/minimum once a year
Motor	Lifetime lubricated bearings
Gear	Periodic oil change Calculated service life >100,000 operating hours
Propeller	Periodic grease lubrication

SURFACE TREATMENT

Machinery enamel: RAL 9005 (Jet Black)

Jet Black

ELECTRICAL CABLE

H07RN-F/S07RN-F EUCAFLEX^{Plus} Cable.

Resistant to oil and UV radiation.



Number of conductors:

H07RN-F 7G1.5 mm² (Not used in United Kingdom)

H07RN-F 7G2.5 mm² (Only United Kingdom. Motor ≤ 5,5 kW)

S07RN-F 7G4+3x1.5 mm²

As standard supplied with 7 m of cable (extra length available upon request).

MONITORING FUNCTIONS

Bimetal thermal sensors 120 °C

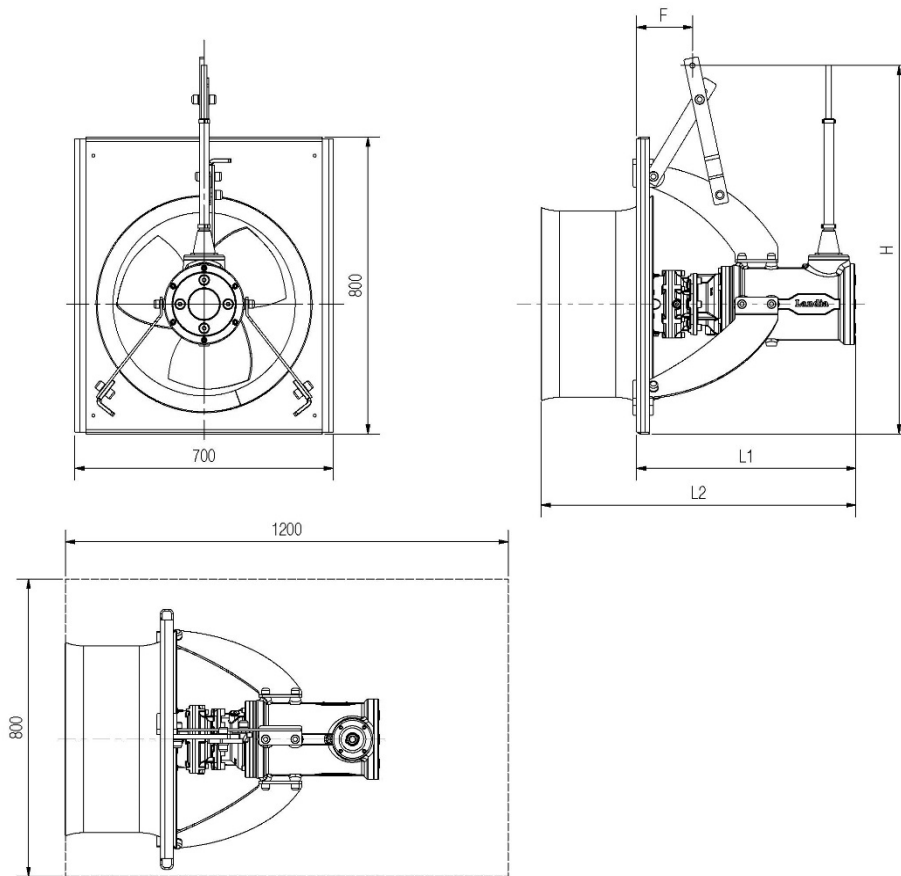
ELECTRICAL DATA

Motor type	3-phase AC motor
Nominal voltage	400 V
Minimum voltage allowed	360 V
Nominal frequency	50 Hz
Applicable for VFD operation	Yes
Ingress protection rating	IP 68
Insulation class	F

Model	Nominal power	Motor	Full load current (400 V)	Connection method	Start current (DOL)	cos phi	Efficiency
	[kW]	[rpm]	[A]	Y/Δ	[A]		[%]
AXP 500 5.5 kW-400 rpm	5.5	1,440	11.0	Δ	68	0.87	84.6
AXP 500 11.0 kW-400 rpm	11.0	1,455	21.5	Δ	146	0.84	87.9

For voltages others than 400 V/50 Hz please refer to the attached Appendix.

OVERALL DIMENSIONS



Model	F [mm]	H [mm]	L1 [mm]	L2 [mm]	Weight [kg]
AXP 500 5,5 kW-400 rpm	155	1000	600	860	145
AXP 500 11,0 kW-400 rpm	230	900	655	925	195

We reserve the right to make technical changes.landiaworld.com

landiaworld.com

Prepared by: BNV/GB
Approved by: KSK/TM

Issued on: 15 March 2021
Rev. date: